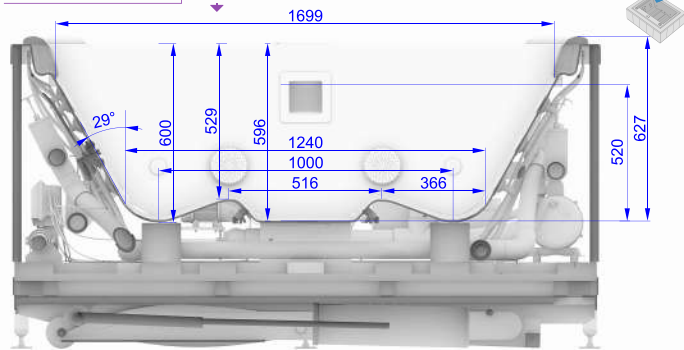
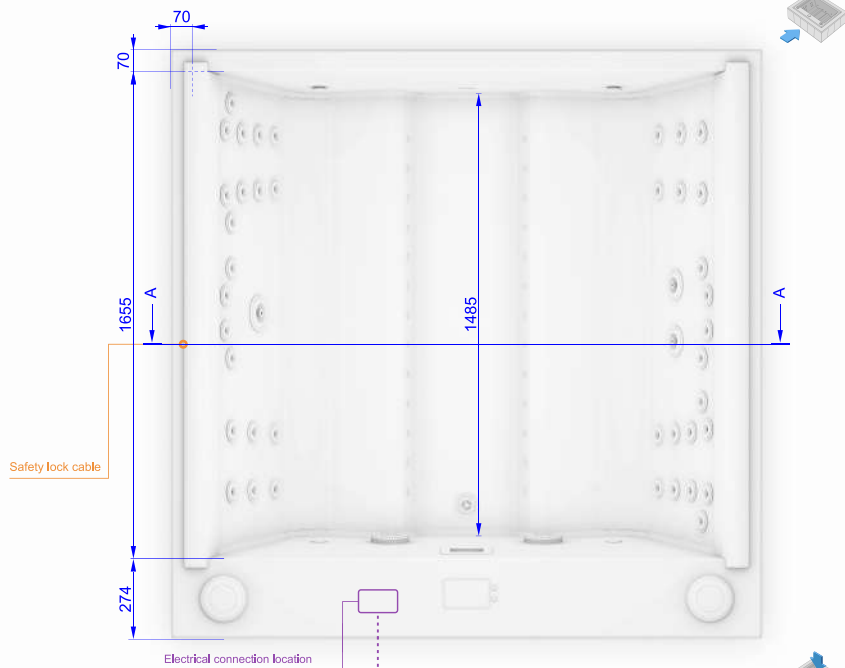
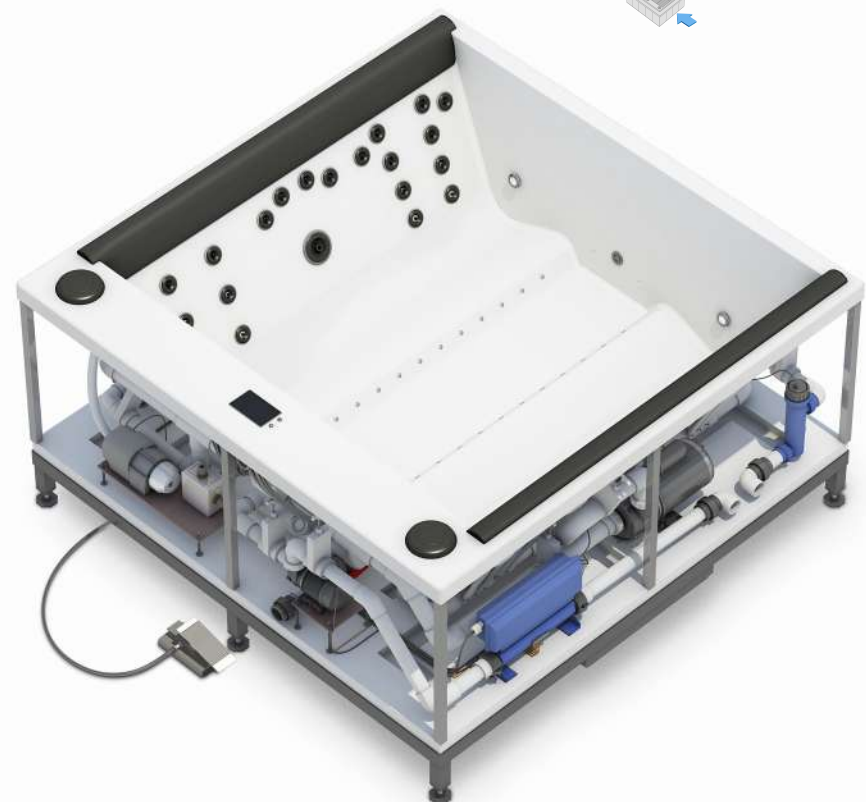


- Fill/drain water supply connection has a 3/4 female PVC fitting on the spa as standard for all fill/drain variations.
- Fill/ Drain location
- Electrical connection location
- Speakers (optional)
- Safety lock/ pedal



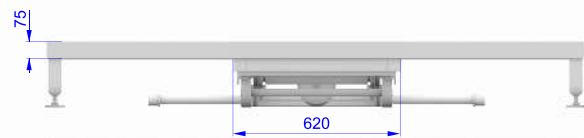
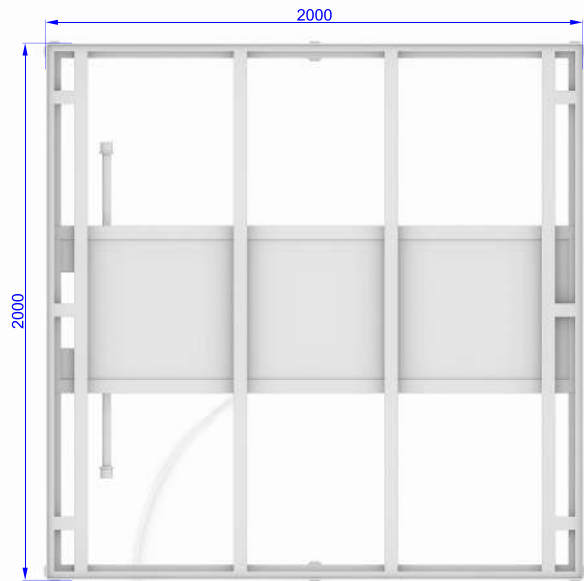
Section AA

units: millimeter

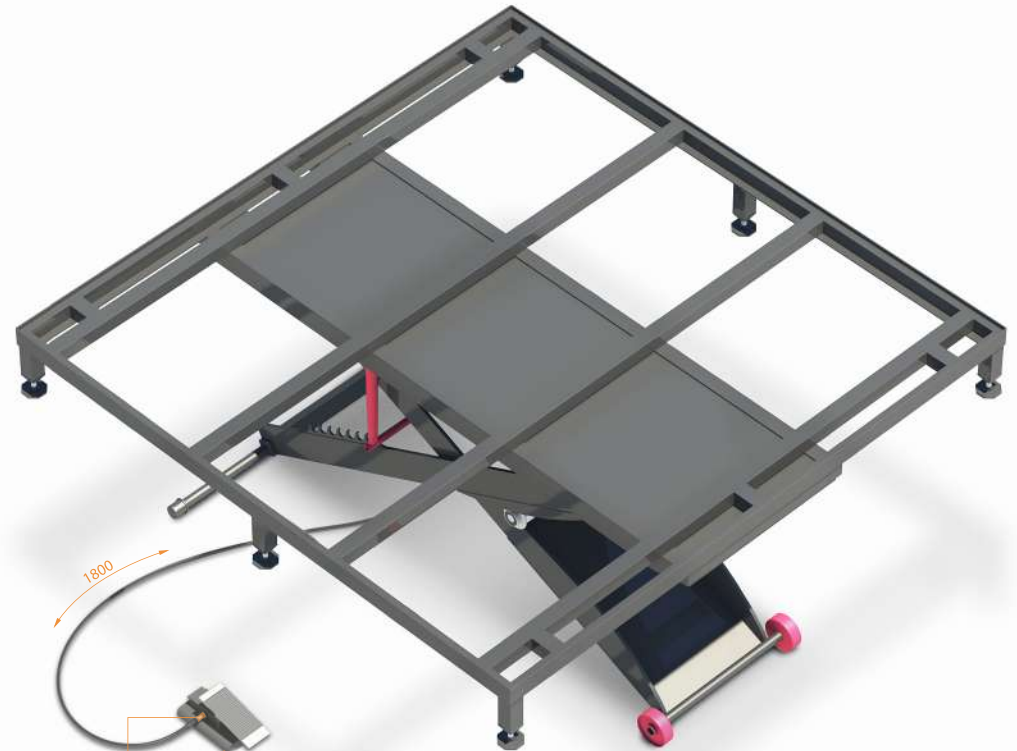


Please note: speakers are optional!

DRAWN	2024-09-16	<b>aquatica</b> <sup>®</sup>		
...				
QA		TITLE		
...		<b>DOWNTOWN 2 Inground Spa</b>		
		SIZE	DWG NO	REV
Dimensions are subject to a +/- 25 mm tolerance		-		03
		SCALE		SHEET 1 OF 3



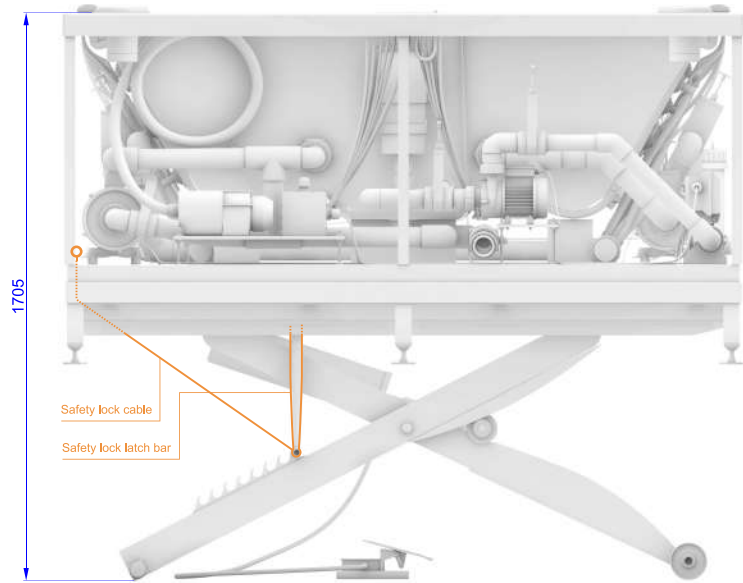
■ Safety lock/ pedal



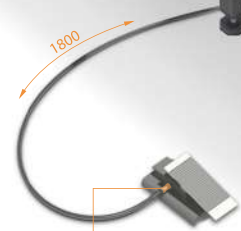
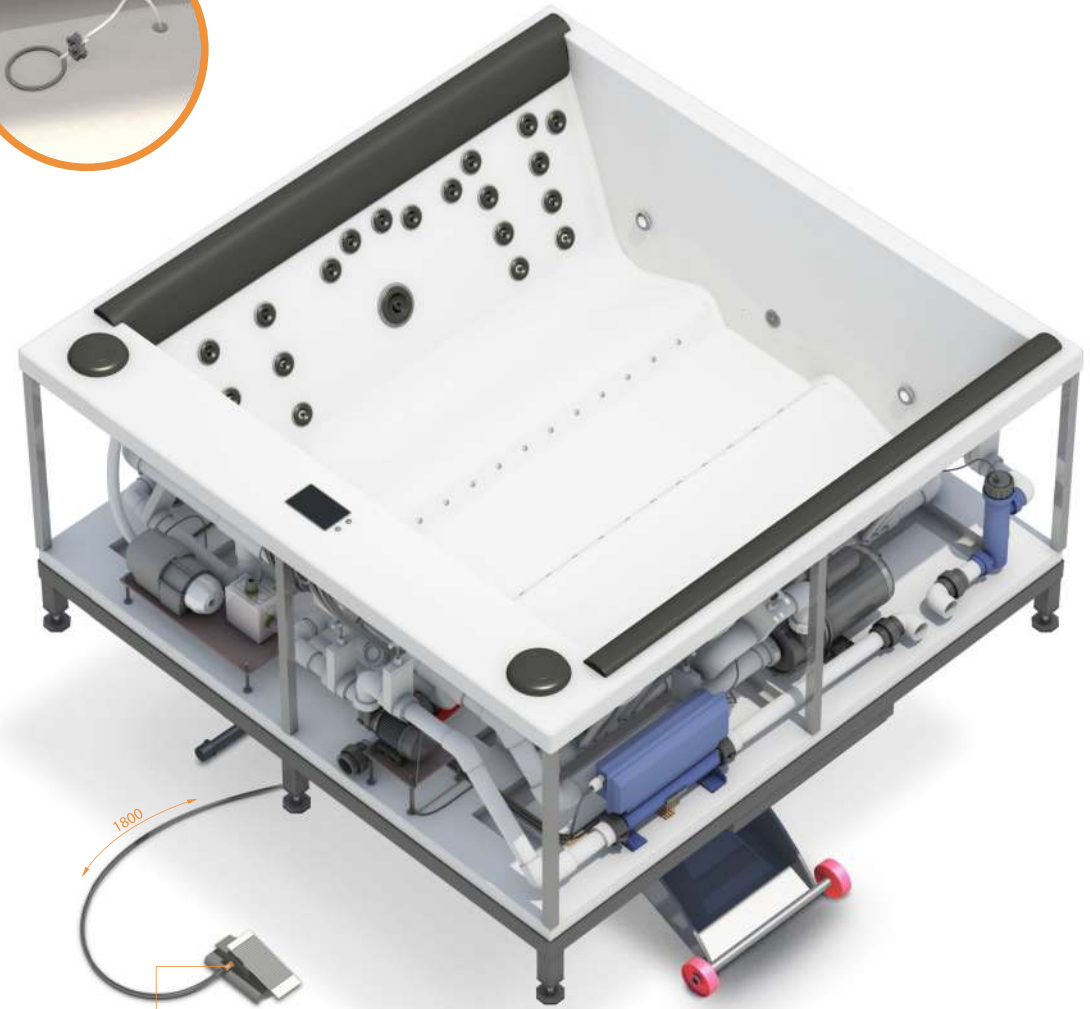
Compressor hose connection    Foot Pedal

units: millimeter

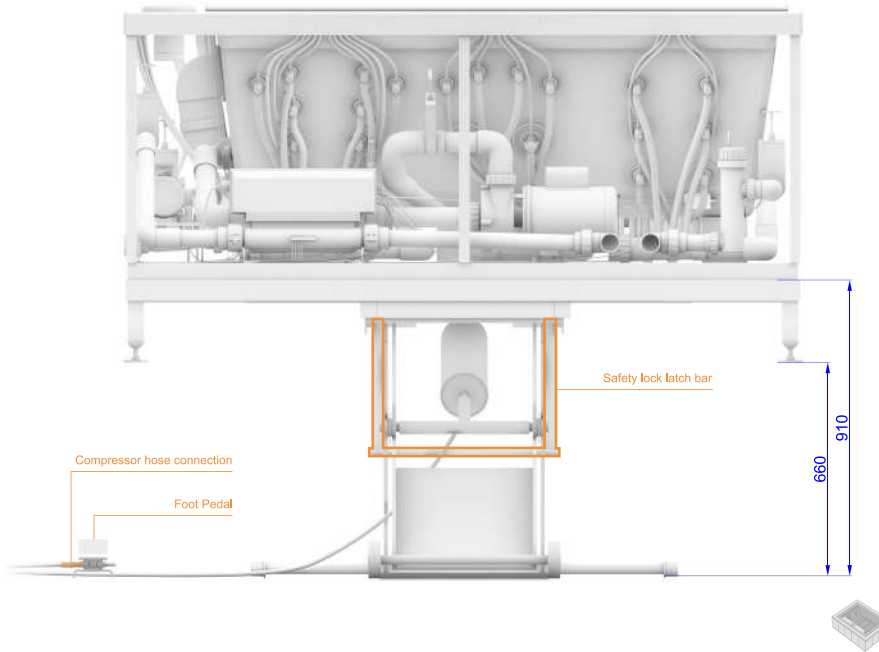
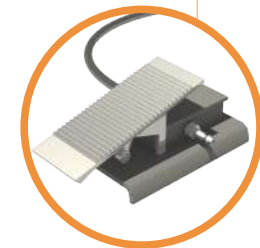
Please note: speakers are optional!				
DRAWN	2024-09-16	<div style="text-align: center;"> <h1>aquatica®</h1> <h2>TITLE</h2> <h3>DOWNTOWN 2 Inground Pneumatic Elevator</h3> </div>		
...				
QA				
...				
Dimensions are subject to a +/- 25 mm tolerance	SIZE	-	DWG NO	REV
	SCALE			03
			SHEET 2 OF 3	




■ Safety lock/ pedal



Compressor hose connection  
Foot Pedal



units: millimeter

Please note: speakers are optional!				
DRAWN	2024-09-16	 <b>TITLE</b> <b>DOWNTOWN 2 Inground Pneumatic Elevator</b>		
...				
QA				
...				
Dimensions are subject to a +/- 25 mm tolerance		SIZE	DWG NO	REV
		-		03
		SCALE	SHEET 3 OF 3	